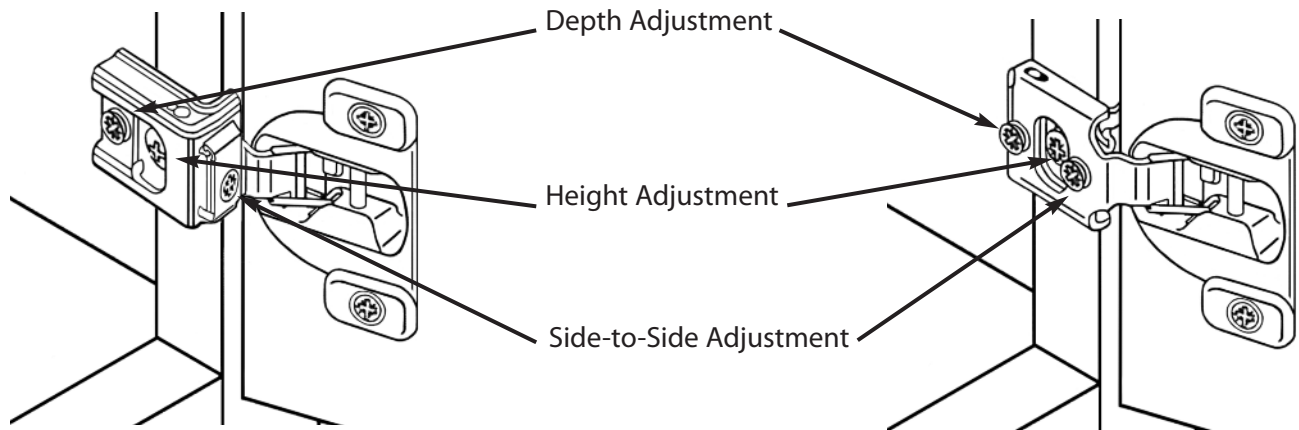


Adjusting the fit on concealed hinges

FRAMED Traditional Overlay

To adjust door height, loosen screws on top and bottom mounting plate and adjust door to desired position. Tighten, check and repeat if necessary.

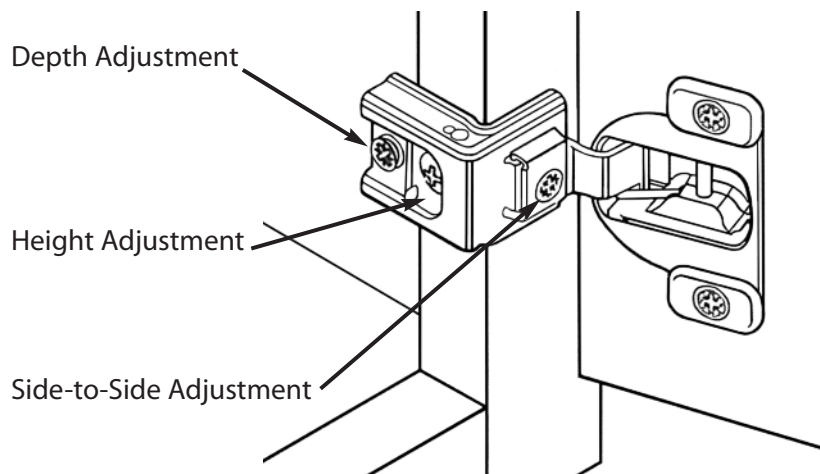
For depth and side-to-side adjustment, turn adjustment screw to desired position.



FRAMED Modified Overlay

To adjust door height, loosen screws on top and bottom mounting plate and adjust door to desired position. Tighten, check and repeat if necessary.

For depth and side-to-side adjustment, turn adjustment screw to desired position.



FRAMELESS and STANDARD INSET Clip Top Style

To adjust door height and depth, loosen screws on top and bottom mounting plate and adjust door to desired position. Tighten, check and repeat if necessary.

For side-to-side adjustment, turn adjustment screw to desired position.

