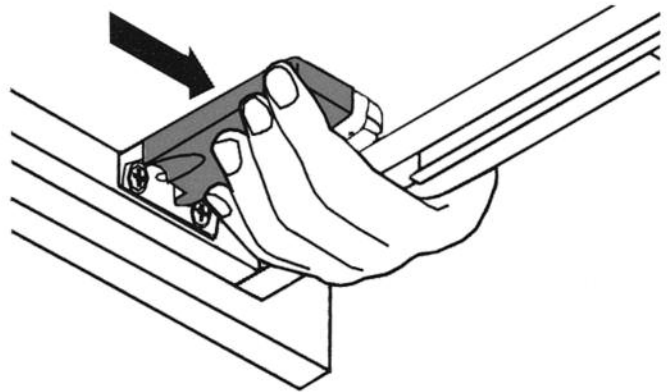


Adjusting the height on orange undermount drawer guides

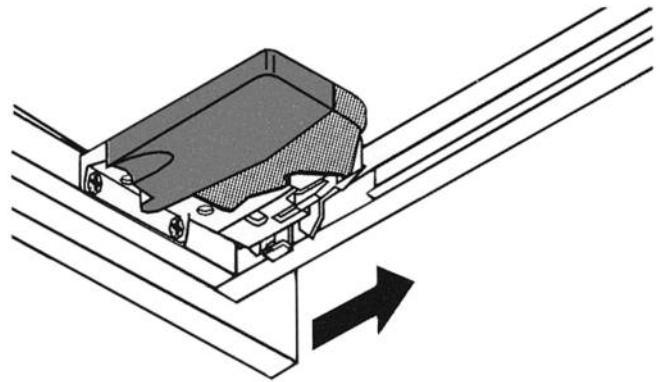
DRAWER REMOVAL

1. Squeeze orange handles on locking devices
2. Pull drawer out and up.



DRAWER INSTALLATION

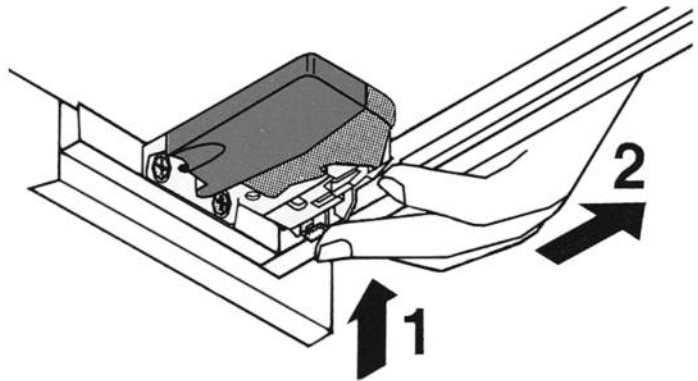
Place drawer onto runners and close. Locking devices will automatically engage runners.



HEIGHT ADJUSTMENT

1. Press up on adjustment latch.
2. Push toward back of drawer to raise height.

Maximum adjustment is 1/8".



TILT ADJUSTMENT

Rotate tab on rear hook for tilt adjustment (to adjust fit of drawer front top to bottom).

