

NEWCASTLE CABINETS



Offering quality cabinetry at a lower price – and the great customer service you expect from Canyon Creek!

EASY INSTALLATION

- Fully assembled framed style cabinetry

POPULAR OPTIONS

- Maple in six popular stain colors, plus white thermofoil

CANYON CREEK QUALITY & SERVICE

- Manufactured in Monroe, WA
- One-year Warranty

SAFE INDOOR AIR

- Durable, low-VOC finish

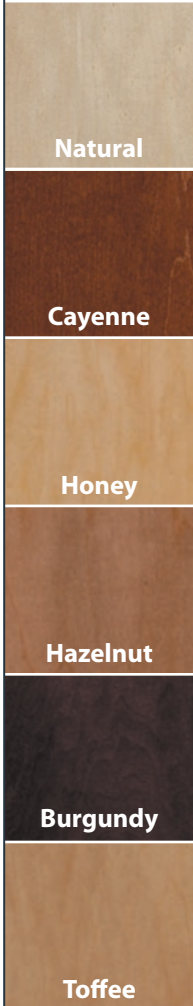
See other side for Newcastle construction & door styles!



CANYON CREEK
Cabinet Company

EPA Evergreen Award Recipient | 1st KCMA Environmental Stewardship Program Participant | ISO 9001 Certified

NEWCASTLE CABINETRY



These samples are representations only, as maple will vary in color, density and grain pattern. Please note that the limitations of print do not allow for accurate color representation. See your authorized Canyon Creek sales rep to view an actual wood sample.



PRAIRIE
1/4" recessed panel
with 2-1/4" stiles & rails



EASTON
1/4" recessed panel
with mitered 2-1/4" stiles & rails



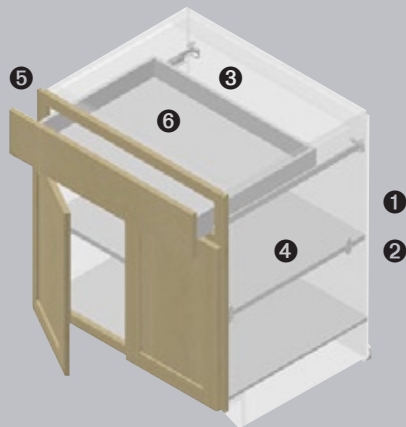
TAHOMA
3/4" panel in
white thermofoil



BRADFORD: SQUARE & ARCH
3/4" raised panel with 2-3/8" stiles & rails



Newcastle doors were carefully selected to provide a range of popular looks. Each door style features a standard edge detail, and the slab drawer fronts will have a matching edge detail to the door style chosen.



1: Cabinet Box

- 1/2" thick particleboard (PBD) box construction

2: Exterior

- Standard exterior is unfinished
- 1/4" Finished End panels are available loose

3: Interior Finish

- White Melamine (MWH)

4: Adjustable Shelves

- 3/4" thick, full-depth shelves adjust in 1-1/4" increments
- Loose Roll-out trays available

5: Face Frame

- 3/4" Maple joined with screws and glue for stability
- Full-width frame rails provide extra strength and durability
- Tailored 1-1/4" Overlay

6: Drawers/Guides

- Drawers and roll-outs are 1/2" white melamine with particleboard substrate and edge-banded front
- 1/4" thick, fully captured bottom panel
- White epoxy-coated, double-captive side mount 3/4 extension guides are rated for 100 lb. capacity

CANYON CREEK
Cabinet Company