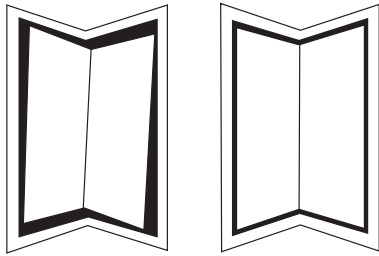


INSUFFICIENT SIDE CLEARANCE ADJUSTMENT



Incorrect
(unequal gaps)

Correct
(equal gaps)

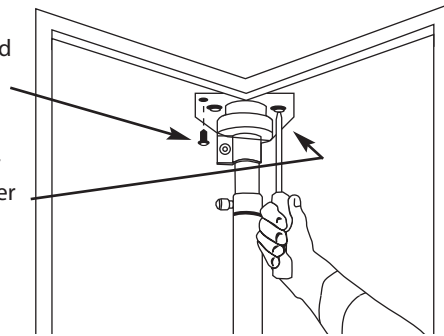
STEP 1

Top Adjustment

Remove and discard shipping screws (if used).

Loosen star washer screws and re-center pivot.

Tighten, check and repeat if necessary.



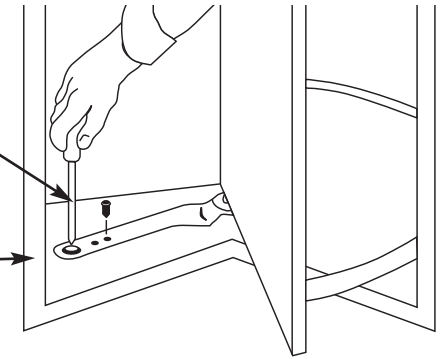
STEP 2

Bottom Adjustment

Rotate door to expose screws on bottom bracket.

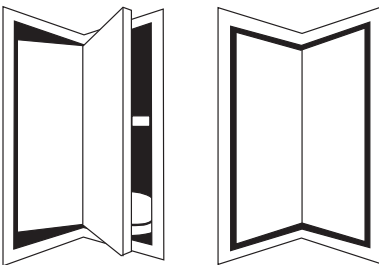
Remove and discard shipping screws (if used).

Loosen star washer screws to re-center pivot cam base (both sides). Tighten, check and repeat if necessary.



UNEVEN OR INCOMPLETE DOOR CLOSING ADJUSTMENT

(To center doors correctly in frame for proper clearance)



Incorrect

Correct Front
Centered Position

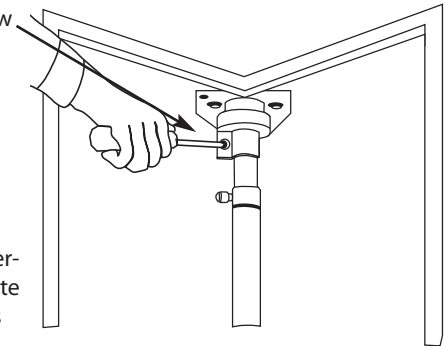
STEP 1

Loosen clamp screw in white plastic housing (approx. 1 turn) to prepare for positioning adjustment.

STEP 2

Rotate door counter-clockwise until white plastic housing has been latched into position with spring.

A resistance to turning will be felt when the housing reaches the latched position and may be accompanied by a click or latching sound.



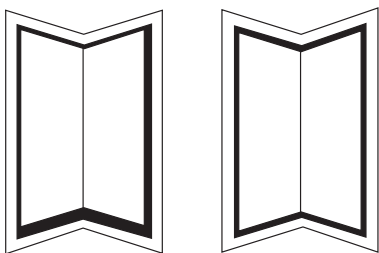
STEP 3

Rotate door slowly clockwise to exact front centered position but not past it. Release door to check alignment. You may need to rotate door a little past center to allow for slight spring-back. If you rotate too far, go back to step 2 and repeat.

STEP 4

SLOWLY rotate door counter-clockwise far enough so that clamp screw faces you again. Tighten clamp screw securely, being careful not to rotate white plastic housing out of position.

TOP/BOTTOM CLEARANCE ADJUSTMENT



Incorrect
(unequal gaps)

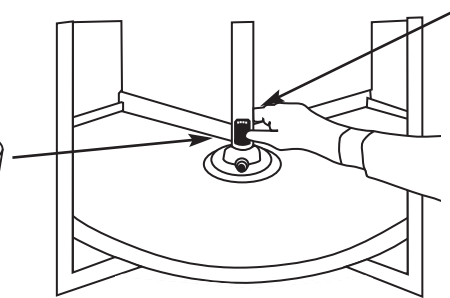
Correct
(equal gaps)

STEP 1

Remove polymer retainer clip.



Retainer
Clip



STEP 2

Turn adjustment wheel (located inside cut-out portion of shaft) clockwise to raise shelf/door unit. One full turn raises door 1/32". After adjustment, be sure to replace retainer clip.

NOTE: If shelves are heavily loaded, lift lower shelf slightly to aid adjustment. Total adjustment 1/2".

NOTE: When adjustments are completed, be sure to securely tighten all adjustment screws in housing, shaft bushing and tray adjustment screws.

Tools required for adjustments:
Phillips Screwdriver