

Date: _____

This checklist will assist you in the decisions you need to make for your Cornerstone or Millennia cabinetry project. Just check the boxes of the selection you desire. If you have questions, please check with your sales representative before you make your selections.

Dealer/Sales Person: _____

Name: _____

Project/Area: _____

CABINET LINES (Style of cabinetry)

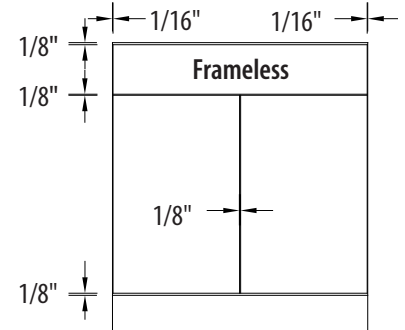
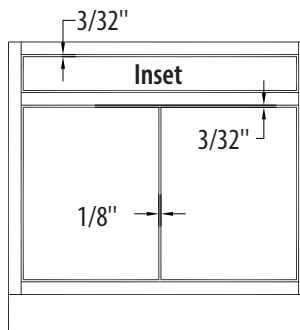
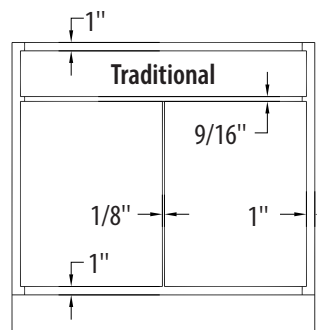
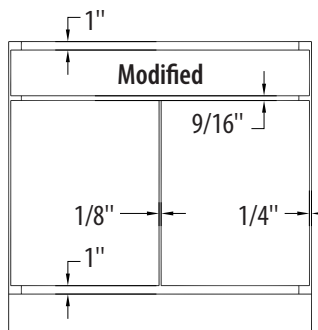
Standard cabinet heights: Base = 34-1/2" | Mid-base = 31-1/2" | Vanity = 29-1/4"

Cornerstone Framed (1/2" box w/face frame)

Modified, Traditional, Inset, and Beaded Inset overlays

Millennia European Frameless (3/4" box w/out face frame)

Full overlay with 1/8" reveal top & bottom; 1/16" side reveal



CABINET BOX CONSTRUCTION

Box = top, bottom & back, left and right sides and adjustable shelves

Particleboard (standard)

Particleboard is industrial strength furniture board (ISFB)
44-pound density with water resilient resin-based glues

Plywood (\$) (modification) White interior 3/4" Plywood is composition

ply core (plywood core center, MDF each side).

1/2" Plywood is 12 mm plus or minus 1/32". Face is vinyl or veneer.

CABINET BOX INTERIOR OPTIONS

These cover the cabinet box interior construction material, particleboard and plywood

Particleboard box

Plywood box (\$)

Millennia only (Particleboard box only)

WV-White Vinyl

WV-White Vinyl

Grey Melamine (\$)

WGL-Woodgrain Laminate

WGL-Woodgrain Laminate

FMI (\$) - **Finished to Match Interior** (same as face frame or door species and color)

Notes: _____

Adjustable shelves are 3/4" thick particleboard or plywood (same as box construction) and will match interior option selected.

All wood components inside cabinet (drawers, roll-outs, pull-outs, spice racks, swing-outs or door racks) will be a natural finished hardwood.

DRAWER BOX TYPES

1/4" drawer bottoms are captured on front and sides in a dado

SWD 1/2" solid wood dovetail drawer with 1/4" U-V coated MDF bottom with wood grain print.

HWDWR or **Roll-out Trays** (\$) 5/8" solid hardwood dovetail drawer with 1/4" hardwood plywood bottom.

Millennia only:

Metal drawer box & roll-out options

PG-Powder Grey Aluminum (\$)

Aluminum sides and front – drawer bottom and back are grey melamine on particleboard. (Soft-close.)

SS-Stainless Steel finish Aluminum (\$)

DRAWER GUIDE OPTIONS

Dual guide systems for drawers also available on roll-out trays

UMFEG-IM (standard) 6-way adjustable under mount Full Extension Guide with inMotion soft closing feature

DOOR STYLE Recessed panels may be 1/4" hardwood plywood or upgraded to a 7/16" solid wood center panel (\$)

See door brochures or website for complete list of available doors.

Door style favorites: _____

DRAWER FRONT OPTIONS Drawer front standards vary - check with your salesperson for standards or options

- Slab Slab 5-pc 1/4" recessed panel 5-pc solid raised panel

DFMD-Drawer Front Matches Door (\$) Notes: _____



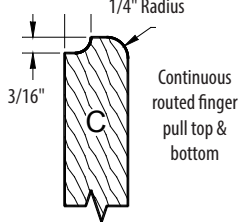












EDGE DETAILS For outside edge of mortise & tenon construction drawer fronts and doors—see back page

Circle One: **A B C D E G H L M N S** Door & drawer front or edge details can vary - check with your sales person for options.

C=Cornerstone | M=Millennia

 <p style="text-align: center;">A</p> <p style="text-align: center;">C/M</p>	 <p style="text-align: center;">B</p> <p style="text-align: center;">C/M</p>	 <p style="text-align: center;">C</p>	 <p style="text-align: center;">D</p> <p style="text-align: center;">C</p>	 <p style="text-align: center;">E</p> <p style="text-align: center;">C</p>	 <p style="text-align: center;">G</p> <p style="text-align: center;">C/M</p>
 <p style="text-align: center;">H</p> <p style="text-align: center;">C/M</p>	 <p style="text-align: center;">L</p> <p style="text-align: center;">C/M</p>	 <p style="text-align: center;">M</p> <p style="text-align: center;">C/M</p>	 <p style="text-align: center;">N</p> <p style="text-align: center;">C/M</p>	 <p style="text-align: center;">S</p> <p style="text-align: center;">C/M</p>	

DOOR HINGE OPTIONS Hinges are self-closing at 12° (spring loaded, 6-way adjustable)

- Concealed Concealed w/inMotion soft-close (\$) (Self-closing feature)
- Exposed Finial (Inset only): Nickel Brass Black Pewter (Not self-closing. Have magnetic catch.)

DOOR MODIFICATIONS

- RFG-Rout for Glass (\$) Aluminum Frame (\$)

Multiple rout for glass with mullion grid styles are available. We recommend a finished to match interior (FMI - \$) on cabinet boxes with exposed interiors. Glass door inserts for RFG modification are not available through CCCC - ask about installed acrylic panel options. Glass stop material (1/2" x 3/8") is available loose. Aluminum doors are available in different frame options with glass. Ask your designer for details.

Notes _____

WOOD SPECIES & MATERIALS

*Available with Paint only

- Red Oak (0%) Hickory (0-5%) Alder (4-6%) Maple/MDF* (10%) Sapele (30%)
- Beech (0%) HDF* (0%) Maple (10%) Cherry (20%) Bk. Walnut (40%)

Rustic = Random size and placement of knots on drawer & door fronts only. Available on solid wood doors only

- Rustic Beech (7%) Rustic Hickory (10%) Rustic Alder (7%) Rustic Maple (15%)

The species & materials below are offered through Millenia only:

- Bamboo (30%) Carb. Bamboo (30%) Rift White Oak (35%) Vertical Grain Fir (40%) Exotic Wood Veneer (\$)
- Thermofoil (0%) TSS (\$) Super Matte (\$) HG Acrylic & Foil (\$) Greenlam (\$)

Notes _____

As no two trees are alike, no two pieces of wood are alike - you should expect variations in grain and color throughout your cabinetry. We are not a hand-select wood manufacturer and we **strongly recommend** that you view a full door sample of the species/color combination before you make your final selection.

STAIN/PAIN T COLORS

Gloss levels below available on all colors except Ebony, which is Matte finish

- Caraway Cinnamon Espresso Java Sable Toffee
- Cayenne Cocoa Graphite Kona Sea Drift Sealer Only
- Charcoal* Dune Hazelnut Natural Shadow* Unfinished
- Chicory Ebony (M) Honey Pecan *Maple only

Painted finishes (\$) available on Maple, Red Oak, Maple with MDF panels and HDF only

- White Ivory Ash Thunder Sand Breeze
- Curated** Icing Eggshell Fog Black Granite Chambray
- Paint (\$)** Crème Snowcap Mist Cornsilk Sage Navy
- Summer Cld. Frosty Smoke Mojave Olive Cardinal

Pick Your Paint (\$) Select from over 5,000 colors within the Benjamin-Moore®, SherwinWilliams® or Farrow & Ball® paint color offering

Pick Your Paint color selections: Brand: _____ SKU#: _____ Name: _____

Custom Color Match (\$\$) Send us an object you'd like to match and we'll formulate a color that matches your vision.

Note: Pick You Paint and Custom Color Match require viewing/approval of sample door.

GLOSS LEVEL

Gloss level may be specified with most stains and paints

- Standard (35% sheen) Matte (15% sheen) Lo-Luster (5% sheen)

Sheen is determined by measuring amount of light that reflects off a surface (as a percentage). **All three levels of gloss are no additional charge.**

FINISH ENHANCEMENTS**

Glazing (\$) Glaze material is flooded over surface then hand-wiped for an aged look. Glaze hang up will not be uniform on each piece or from piece to piece.

- Chocolate Pewter Suede Vanilla Licorice

Highlighting (\$) Material is airbrushed into detailed areas. Neat and uniform look with relatively soft edges on each piece and from piece to piece.

- Chocolate Pewter Suede Vanilla Licorice

Chocolate Antiqued (\$) On paint colors only. Light, muted brown brush strokes in grain direction.

Licorice Patina (\$) Heavy brush strokes in the direction of the wood grain create an antiqued look. (Front of door, drawer front and face frame only.)

Burnished (\$) Ebony (black) stain on Maple; wood is lightly sanded in random areas after staining to reveal some wood grain. Matte finish.

Sand-Through to Wood (\$) Depicts wear to natural wood. On painted & burnished colors only. Paint color: _____

Sand-Through to Color (\$) Depicts top paint color having worn through to a previous stain color. Colors: _____

Distressing (\$) Distressing is best seen when Glazing (\$) is applied as it will hang up in distress marks. **Standard Distressing** is applied to all exposed finish parts of the cabinet and mouldings. **Artisan distressing** is applied to front of drawers and doors only and not to the face frame or side panels of box.

- Standard Artisan 1 Artisan 2 Artisan 3 Artisan 5

NOTES

THANK YOU FOR VISITING! We appreciate your business and interest in our products - see more at www.canyoncreek.com

All dollar amounts given in the showroom are approximate and are not to be considered as a price quote. Some products in our showroom are not standard – items and prices are subject to change without notice. ** See your sales person for additional information and actual quotes on products. (\$) = More than standard cost - may be a percentage price or price per item.