

Customer Name _____

Designer _____

Date _____

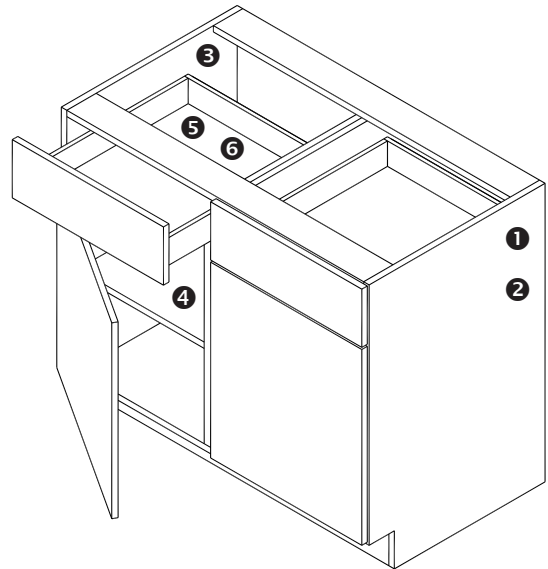
New Construction Remodel

Millennia Custom Frameless – It's All About Choices

CONSTRUCTION CHOICES

- 1. Overview | pg G-1
Standard cabinet heights:
Base cabinet 34-1/2"
Mid-base cabinet 31-1/2"
Vanity cabinet 29-1/4"

- 1. Cabinet box construction
- 2. Exterior
- 3. Interior finish
- 4. Adjustable shelves
- 5. Drawers and roll-outs
- 6. Drawer/roll-out guides



1. Cabinet box construction | pgs G-1 & G-2

- 3/4" Particleboard (PB)
- 3/4" Plywood (PLY) *up-charge*

2. Exterior | pg G-1

- Unfinished
- Finished, furniture ends, finished end doors *up-charge*

3. Cabinet interior finish | pg G-2

(WHTV & WGL: no up-charge for PB • *up-charge on PLY*)

- White vinyl (WHTV)
- Woodgrain Laminate (WGL)
- Finish to match door species & color
for exposed interiors (FMI) *up-charge*
- Grey Melamine (GM) *up-charge*



Finish to match interior

CONSTRUCTION CHOICES *continued*

4. Adjustable shelves | pg G-1

- Particleboard
- Plywood *up-charge*

5. Drawer box construction | pg G-1

- 1/2" Solid wood dovetail (SWD)
- 5/8" solid hardwood dovetail (HWDWR) *up-charge*
- Powder Grey (PG) Steel Drawer System *up-charge*
- Stainless Steel (SS) Drawer System *up-charge*

6. Drawer guides | pg G-2 – G-3

UMFEG with inMotion drawer closing system (UMFEG-IM)



DESIGN CHOICES

1. Door style | pgs G-19 to G-65 Name _____

Door edge detail | pg G-18 Name _____



2. Drawer front style | pgs G-19 to G-65

- Slab (flat drawer front)
- 5-Piece Drawer Front to Match Door (DFMD) *up-charge unless standard*
- 3-Piece Drawer Front Quattro, Quattro Solid, Duet, Duet Solid • *up-charge unless standard*



3. Wood Alternatives | pgs G-51 to G-65

- Laminate
- Thermofoil
- Greenlam

CURATED SURFACES COLLECTION

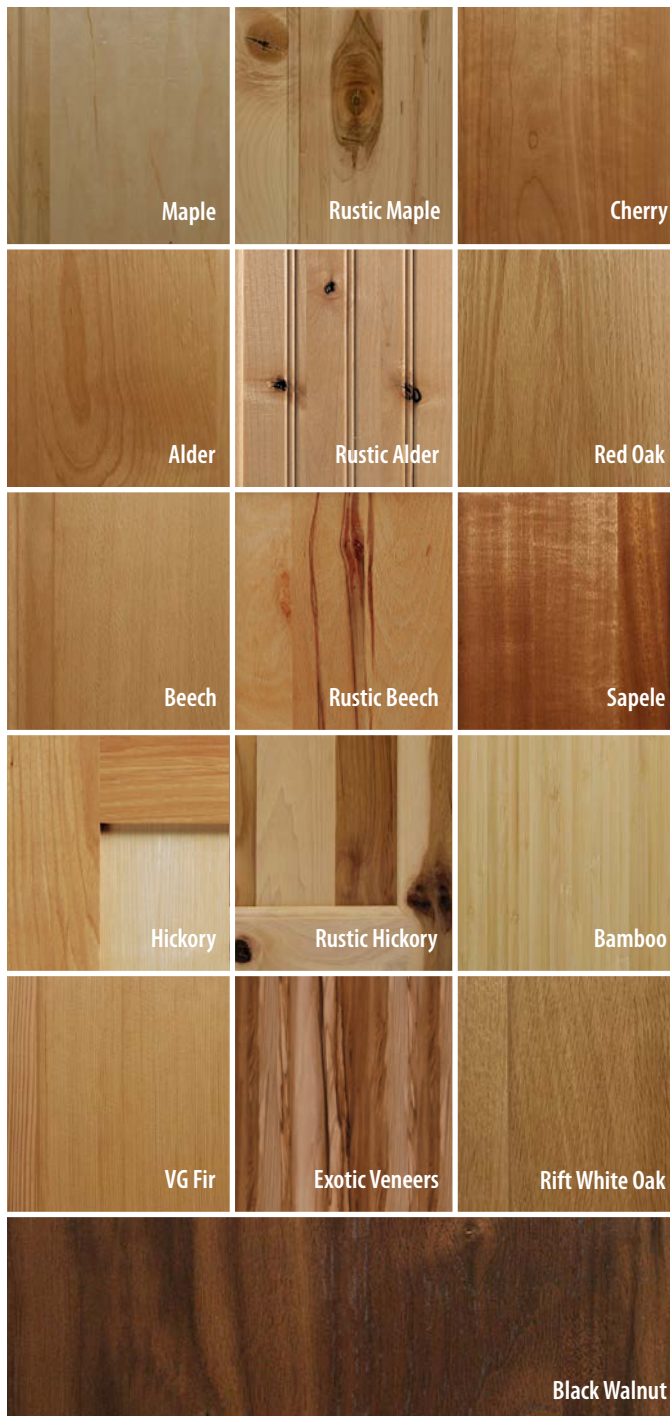
- Super Matte
- HG Acrylic & Foil
- Thermo Structured Surface (TSS)



DESIGN CHOICES *continued*

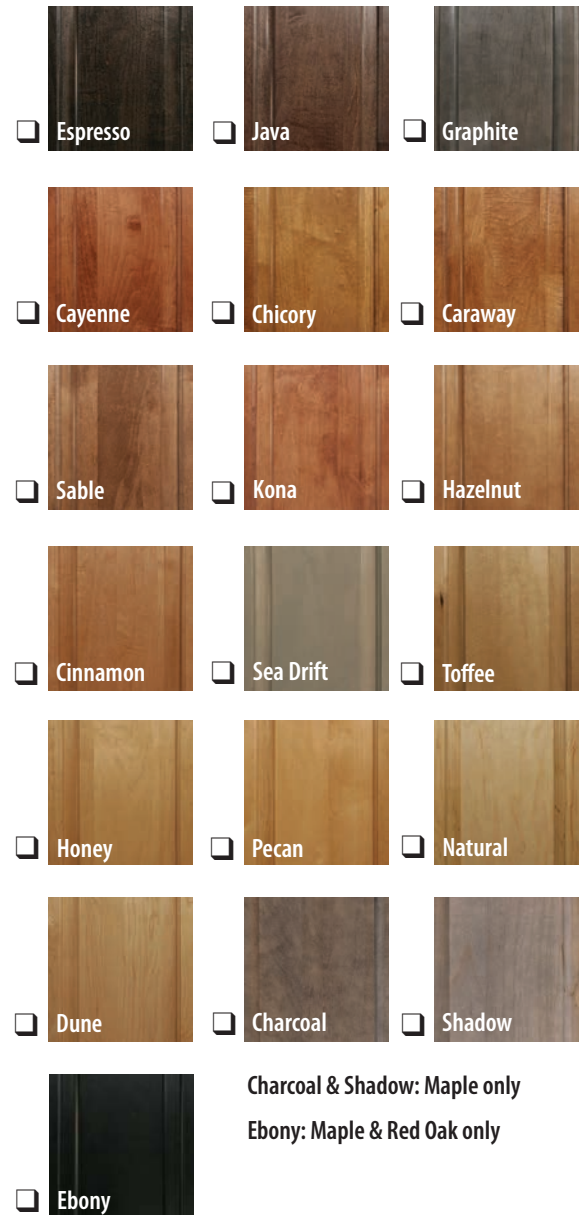
3. Wood Species and Materials | pg G-4

- Maple Rustic Maple Cherry
- Alder Rustic Alder Red Oak
- Beech Rustic Beech Sapele
- Hickory Rustic Hickory Bamboo
- VG Fir Exotic Wood Veneer
- Rift White Oak Black Walnut



4. Stain color | pgs G-11 to G-12

Shown on Maple • Most colors avail. on most species



4A. Paint color | pgs G-11 to G-12

Paint available on Maple & Red Oak only

- Ash Fog Olive
- Black Frosty White Sage
- Breeze Granite Sand
- Cardinal Icing Smoke
- Chambray Ivory Snowcap
- Cornsilk Mist Thunder
- Crème Mojave White
- Eggshell Navy Summer Cloud

DESIGN CHOICES *continued*

4B. Gloss Level (sheen)

- Standard Gloss
- Matte Gloss
- Lo-Luster



5. Finish enhancements | pgs G-9 thru G-11

Choose one:

- Glazing
- Highlighting

Color choices:

- Chocolate
- Licorice
- Suede
- Vanilla
- Pewter

- Patina (Licorice)
- Antiqued (Chocolate)

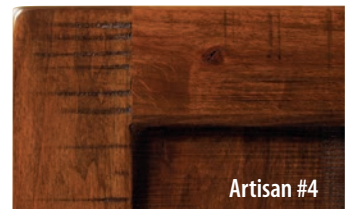
- Standard Distressing
- Sand-Through to Wood (STTW)
- Sand-Through to Color (STTC)

Paint (top) _____

Stain (bottom) _____

Artisan Package # choose one:

- A1
- A2
- A3
- A4
- A5
- A6



NOTES

Your Style With Our Solutions Creates Home

CANYON CREEK
Cabinet Company