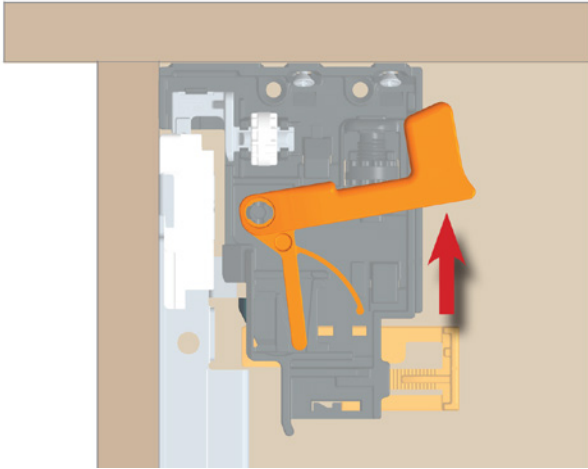


## Adjusting the fit on 6-way under mount guides (per side)

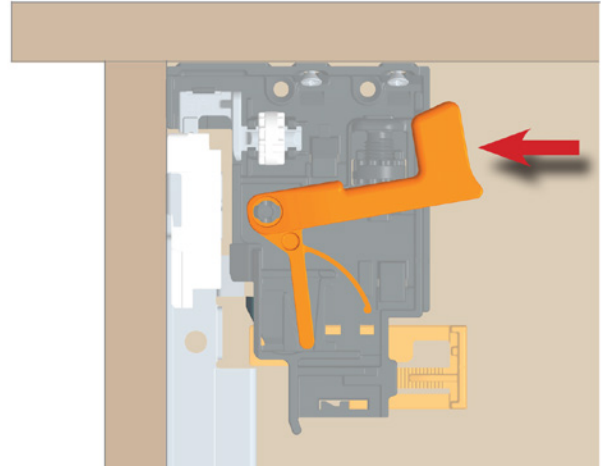
### REMOVAL From the Front

Position hands to the front of drawer. Reach in and grab the orange lever, gently pulling the drawer towards you.



### REMOVAL From the Side

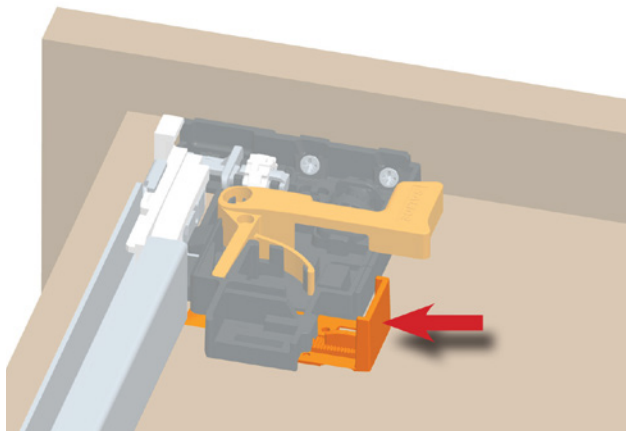
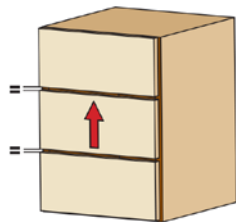
*Best method for wider drawers.* Position hands on both sides of drawer. Reach in and grab the orange lever, gently sliding drawer towards you.



### VERTICAL ADJUSTMENT Tool Free

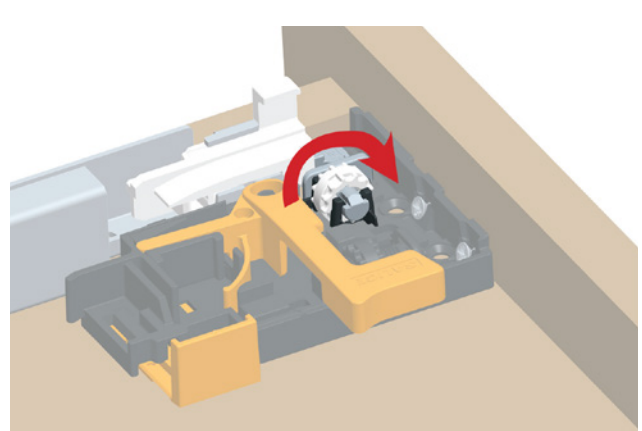
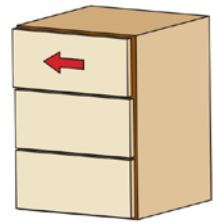
Push lever towards **outside** of drawer to raise drawer

Pull toward **center** of drawer to lower drawer



### MOVE TO LEFT Tool Free

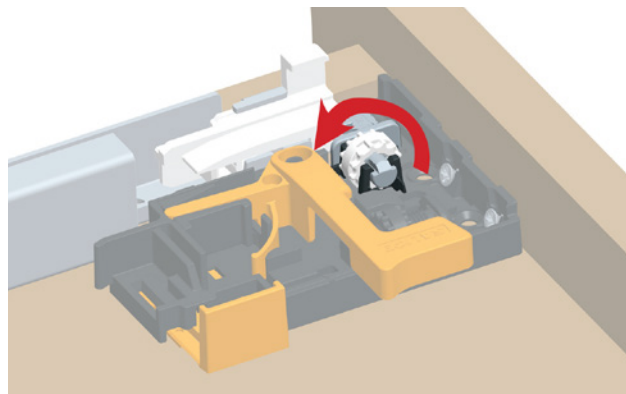
Rotate white wheel **towards** you to move drawer to left



## Adjusting the fit on 6-way under mount guides (per side)

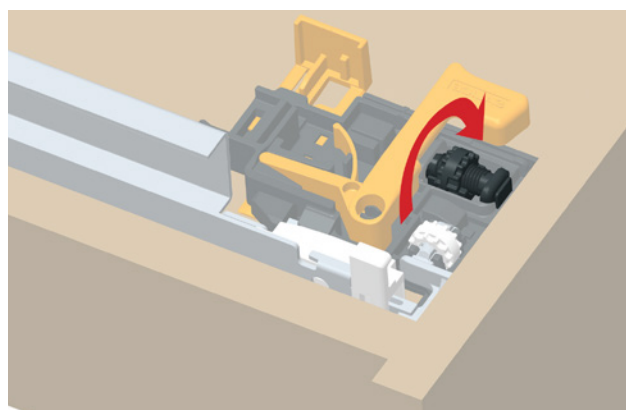
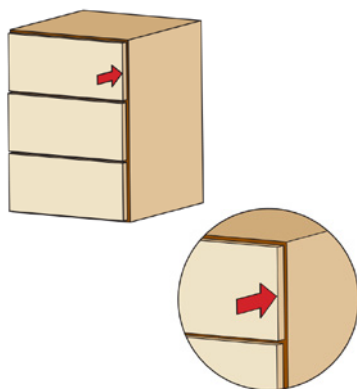
### MOVE TO RIGHT Tool Free

Rotate white wheel  
away from you to  
move drawer to right



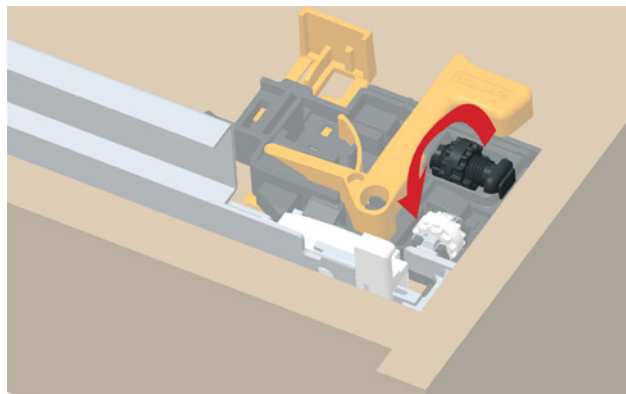
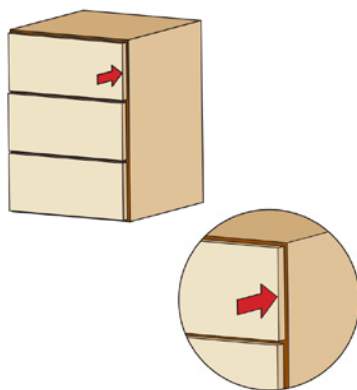
### MOVE BACK Tool Free

Rotate black wheel  
towards **center**  
to reduce the gap  
between drawer  
and cabinet



### MOVE FORWARD Tool Free

Rotate black wheel  
towards **sides** to  
increase the gap  
between drawer  
and cabinet



### MOVE FORWARD or BACK *Inset Only*

If above instructions do not provide  
enough adjustment, remove the drawer  
and adjust the slide bracket, located on  
the cabinet face frame.

